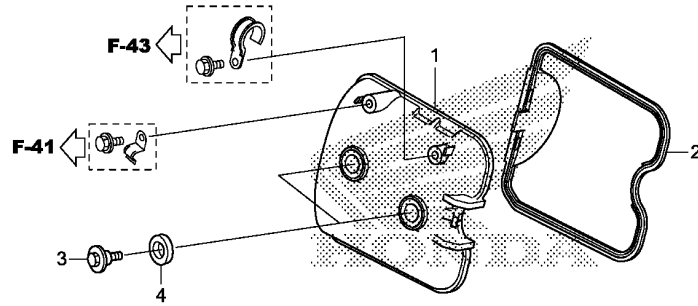


E-2

CYLINDER HEAD COVER

D 1



K043E0200

Ref. No.	L.O.N.	(Relative ref. Number) Description	F.R.T.
1	1111C4	COVER, CYLINDER HEAD	0.6
2	1111D2	GASKET, CYLINDER HEAD COVER ..	0.6

Ref. No.	Part No.	Description	Reqd. QTY		Serial No.	Parts catalogue code
			NSS 300 D	NSS 300A D		
1	12311-K04-930	COVER, CYLINDER HEAD	1	1		
2	12391-K04-930	GASKET, HEAD COVER	1	1		
3	90002-MEB-670	BOLT, HEAD COVER	2	2		
4	90543-MV9-670	RUBBER, MOUNTING	2	2		

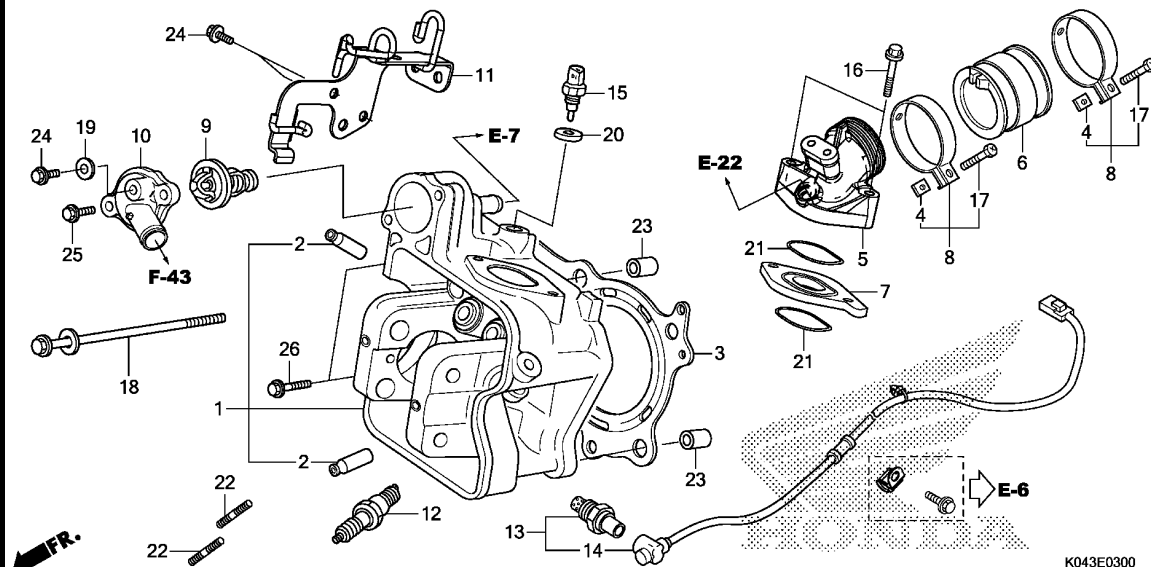
2

FR.

E-3

CYLINDER HEAD

D 2



Ref. No.	L.O.N.	(Relative ref. Number) Description	F.R.T.
1	111106	HEAD, CYLINDERINCLUDES: Valve adjust and reface	4.0
2	1111L9	GUIDE, INTAKE VALVE(ONE)INCLUDES: Reaming .INCLUDES: Valve adjust and reface	3.5
	1111L9A	.Replace all intake valve guide add	0.3
	1111M0	GUIDE, EXHAUST VALVE(ONE)INCLUDES: Reaming .INCLUDES: Valve adjust and reface	3.5
	1111MOA	.Replace all exhaust valve guide add	0.3
	1111M9	GUIDE, VALVE :FOR 1 VEHICLE .. .INCLUDES: Reaming .INCLUDES: Valve adjust and reface	4.4
3	111115	GASKET, CYLINDER HEAD	2.5
5	111107	MANIFOLD, INTAKE	0.7
6	311131	INSULATOR, THROTTLE BODY/ CARBURETOR	0.7
9	114116	THERMOSTAT	1.1

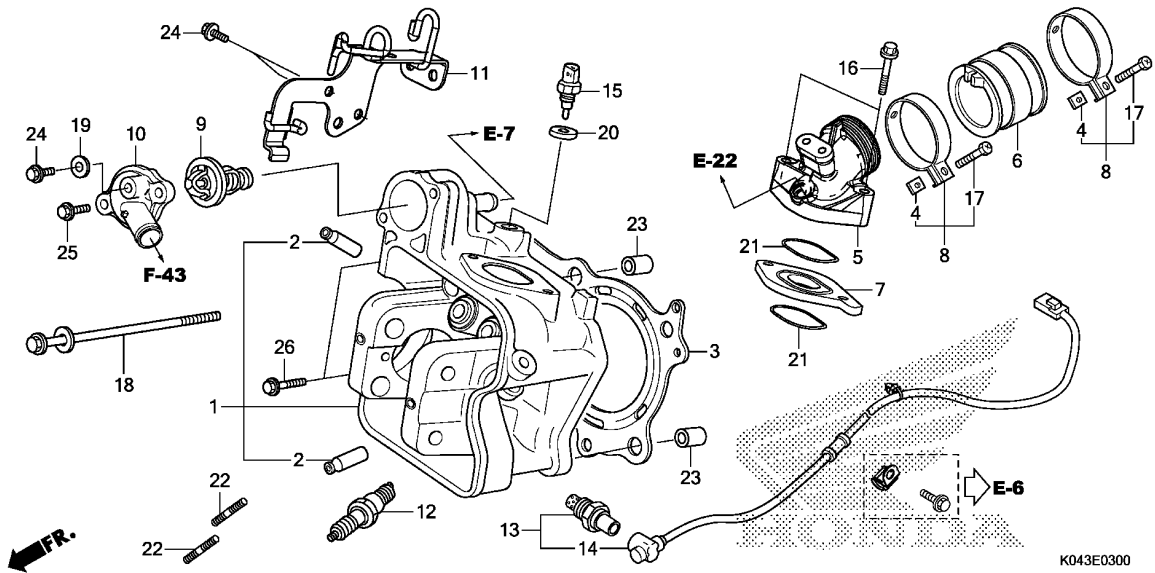
Ref. No.	Part No.	Description	Reqd. QTY		Serial No.	Parts catalogue code
			NSS 300 D	NSS 300A D		
1	12200-K04-931	HEAD COMP., CYLINDER	1	1		
2	12204-KTW-P00	GUIDE, VALVE(O.S.)	4	4		
3	12251-KTW-901	GASKET, CYLINDER HEAD	1	1		
4	16222-MV4-300	NUT, SQUARE, 5MM	2	2		
5	17111-K04-930	PIPE, IN.	1	1		
6	17112-KTW-900	INSULATOR, THROTTLE BODY	1	1		
7	17119-KTW-900	INSULATOR, IN. PIPE	1	1		
8	17256-KTW-900	BAND, INSULATOR	2	2		
9	19300-KGF-911	THERMOSTAT	1	1		
10	19315-K04-930	COVER, THERMOSTAT	1	1		
11	31331-K04-930	STAY, WIRE HARNESS	1	1		
12	31908-KTW-901	PLUG, SPARK(LMAR8A-9)	1	1		
13	36531-K04-931	SENSOR, OXYGEN	1	1		
14	36533-K04-931	CORD COMP., OXYGEN SENSOR	1	1		
15	37870-MBG-003	SENSOR ASSY., WATER TEMP	1	1		
16	90004-GHB-710	BOLT, FLANGE, 6X40(NSHF)	2	2		
17	90005-MEJ-000	BOLT, RECESSED, 5X22	2	2		
18	90007-MCT-000	BOLT-WASHER, 9X155	4	4		
19	90441-706-000	WASHER, SEALING, 6MM	1	1		
20	90454-MC7-000	WASHER, SPECIAL, 12MM	1	1		
21	91302-KVZ-631	O-RING, IN. PIPE	2	2		
22	92900-08022-0E	BOLT, STUD, 8X22	2	2		
23	94301-12200	DOWEL PIN, 12X20	2	2		
24	95701-06012-00	BOLT, FLANGE, 6X12	3	3		
25	95701-06020-00	BOLT, FLANGE, 6X20	2	2		
26	95701-06028-00	BOLT, FLANGE, 6X28	2	2		

2

E-3

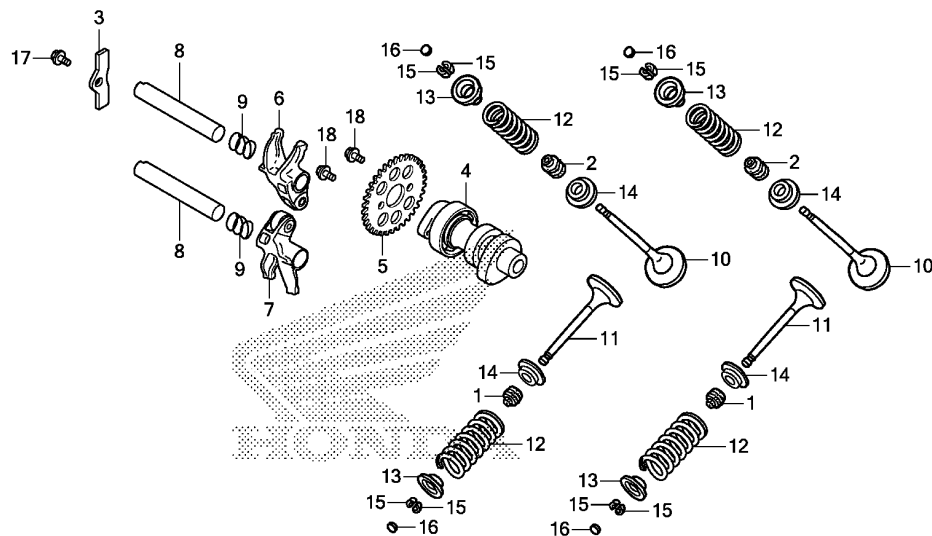
CYLINDER HEAD

D 3



Ref. No.	L.O.N.	(Relative ref. Number) Description	F.R.T.
10	1141B3	COVER, THERMOSTAT	1.0
12	614130	PLUG, SPARK	0.1
13	617121	SENSOR, OXYGEN	0.7
14	6111P8	SUB CORD, OXYGEN SENSOR	0.6
15	6171A9	SENSOR, WATER TEMP	1.0

2

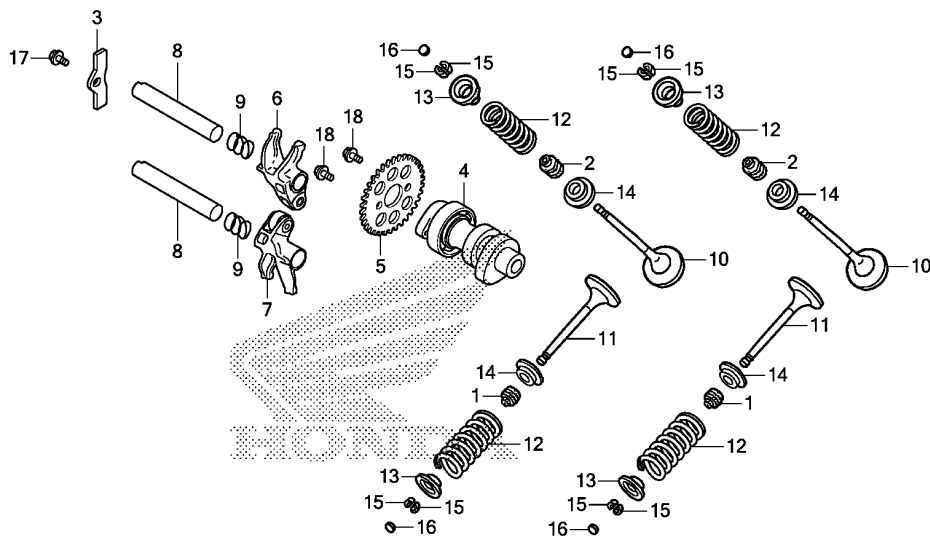


K043E0400

Ref. No.	L.O.N.	(Relative ref. Number) Description	F.R.T.
4	111118	CAMSHAFTINCLUDES: Valve adjustment	1.1
5	1111Q4	SPROCKET, CAM (8,9)	0.8
6	1111K8	ARM, INTAKE VALVE ROCKER(ONE) .INCLUDES: Valve adjustment	1.0
7	1111K9	ARM, EXHAUST VALVE ROCKER(ONE) .INCLUDES: Valve adjustment	1.0
	1111L8	ARM, VALVE ROCKER :FOR 1 VEHICLE	1.0
	1111N0	VALVE, INTAKE(ONE)INCLUDES: Refacing	3.0
	1111NOA	.Replace all intake valve add	0.2
	1111N1	VALVE, EXHAUST(ONE)INCLUDES: Refacing	3.0
	1111N1A	.Replace all exhaust valve add	0.2
	1111P0	VALVE :FOR 1 VEHICLE (1,2,13,14,15) .INCLUDES: Refacing	3.6
	1111P2	INTAKE VALVE SPRING AND/OR STEM SEAL(ONE)	2.8
+	1111P2A	.Replace all intake spring add	0.1

Ref. No.	Part No.	Description	Reqd. QTY		Serial No.	Parts catalogue code
			NSS 300 D	NSS 300A D		
1	12208-MLO-721	SEAL, EX. VALVE STEM(ARAI) ..	2	2		
2	12209-MLO-722	SEAL, VALVE STEM(ARAI)	2	2		
3	12321-KVZ-630	PLATE, CAM STOPPER	1	1		
4	14100-K04-930	CAMSHAFT COMP.	1	1		
5	14321-K04-930	SPROCKET, CAM(34T)	1	1		
6	14430-KWR-000	ARM COMP., IN. VALVE ROCKER ..	1	1		
7	14440-KWR-000	ARM COMP., EX. VALVE ROCKER ..	1	1		
8	14451-KVZ-630	SHAFT, ROCKER ARM	2	2		
9	14642-KTW-900	SPRING, ROCKER ARM SIDE	2	2		
10	14711-KTW-900	VALVE, IN.	2	2		
11	14721-KWR-000	VALVE, EX.	2	2		
12	14751-KTW-901	SPRING, VALVE	4	4		
13	14771-KW3-900	RETAINER, VALVE SPRING	4	4		
14	14775-K04-930	SEAT, VALVE SPRING	4	4		
15	14781-MLO-720	COTTER, VALVE	8	8		
16	14901-KT7-013	SHIM, TAPPET(1.200)	4	4		
	14902-KT7-013	SHIM, TAPPET(1.225)	4	4		
	14903-KT7-013	SHIM, TAPPET(1.250)	4	4		
	14904-KT7-013	SHIM, TAPPET(1.275)	4	4		
	14905-KT7-013	SHIM, TAPPET(1.300)	4	4		
	14906-KT7-013	SHIM, TAPPET(1.325)	4	4		
	14907-KT7-013	SHIM, TAPPET(1.350)	4	4		
	14908-KT7-013	SHIM, TAPPET(1.375)	4	4		
	14909-KT7-013	SHIM, TAPPET(1.400)	4	4		
	14910-KT7-013	SHIM, TAPPET(1.425)	4	4		
	14911-KT7-013	SHIM, TAPPET(1.450)	4	4		





K043E0400

Ref. No.	L.O.N.	(Relative ref. Number) Description	F.R.T.
+12	1111P3	EXHAUST VALVE SPRING AND/OR STEM SEAL(ONE)	2.8
	1111P3A	.Replace all exhaust spring add	0.1
	1111Q2	VALVE SPRING AND/OR STEM SEAL :FOR 1 VEHICLE	3.1

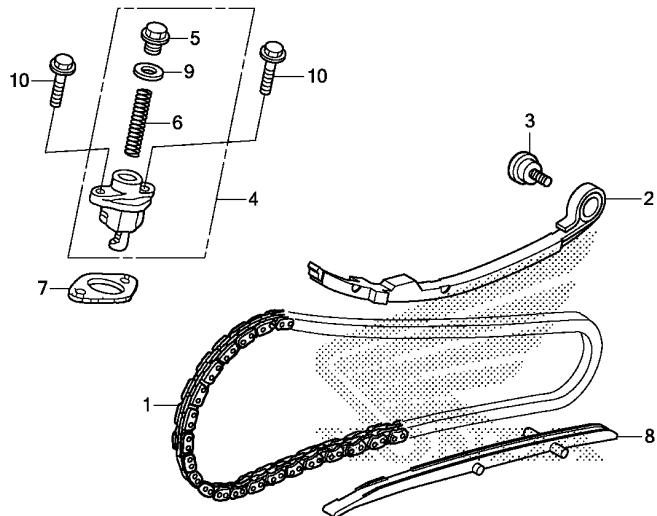
Ref. No.	Part No.	Description	Reqd. QTY		Serial No.	Parts catalogue code
			NSS 300 D	NSS 300A D		
16)	14912-KT7-013	SHIM, TAPPET(1.475)	4	4		
	14913-KT7-013	SHIM, TAPPET(1.500)	4	4		
	14914-KT7-013	SHIM, TAPPET(1.525)	4	4		
	14915-KT7-013	SHIM, TAPPET(1.550)	4	4		
	14916-KT7-013	SHIM, TAPPET(1.575)	4	4		
	14917-KT7-013	SHIM, TAPPET(1.600)	4	4		
	14918-KT7-013	SHIM, TAPPET(1.625)	4	4		
	14919-KT7-013	SHIM, TAPPET(1.650)	4	4		
	14920-KT7-013	SHIM, TAPPET(1.675)	4	4		
	14921-KT7-013	SHIM, TAPPET(1.700)	4	4		
	14922-KT7-013	SHIM, TAPPET(1.725)	4	4		
	14923-KT7-013	SHIM, TAPPET(1.750)	4	4		
	14924-KT7-013	SHIM, TAPPET(1.775)	4	4		
	14925-KT7-013	SHIM, TAPPET(1.800)	4	4		
	14926-KT7-013	SHIM, TAPPET(1.825)	4	4		
	14927-KT7-013	SHIM, TAPPET(1.850)	4	4		
	14928-KT7-013	SHIM, TAPPET(1.875)	4	4		
	14929-KT7-013	SHIM, TAPPET(1.900)	4	4		
	14930-KT7-013	SHIM, TAPPET(1.925)	4	4		
	14931-KT7-013	SHIM, TAPPET(1.950)	4	4		
	14932-KT7-013	SHIM, TAPPET(1.975)	4	4		
	14933-KT7-013	SHIM, TAPPET(2.000)	4	4		
	14934-KT7-013	SHIM, TAPPET(2.025)	4	4		
	14935-KT7-013	SHIM, TAPPET(2.050)	4	4		
	14936-KT7-013	SHIM, TAPPET(2.075)	4	4		
	14937-KT7-013	SHIM, TAPPET(2.100)	4	4		
	14938-KT7-013	SHIM, TAPPET(2.125)	4	4		
	14939-KT7-013	SHIM, TAPPET(2.150)	4	4		
	14940-KT7-013	SHIM, TAPPET(2.175)	4	4		

Ref. No.	Part No.	Description	Reqd. QTY		Serial No.	Parts catalogue code
			NSS 300 D	NSS 300A D		
16)	14941-KT7-013	SHIM, TAPPET (2.200)	4	4		
	14942-KT7-013	SHIM, TAPPET (2.225)	4	4		
	14943-KT7-013	SHIM, TAPPET (2.250)	4	4		
	14944-KT7-013	SHIM, TAPPET (2.275)	4	4		
	14945-KT7-013	SHIM, TAPPET (2.300)	4	4		
	14946-KT7-013	SHIM, TAPPET (2.325)	4	4		
	14947-KT7-013	SHIM, TAPPET (2.350)	4	4		
	14948-KT7-013	SHIM, TAPPET (2.375)	4	4		
	14949-KT7-013	SHIM, TAPPET (2.400)	4	4		
	14950-KT7-013	SHIM, TAPPET (2.425)	4	4		
	14951-KT7-013	SHIM, TAPPET (2.450)	4	4		
	14952-KT7-013	SHIM, TAPPET (2.475)	4	4		
	14953-KT7-013	SHIM, TAPPET (2.500)	4	4		
	14954-KT7-013	SHIM, TAPPET (2.525)	4	4		
	14955-KT7-013	SHIM, TAPPET (2.550)	4	4		
	14956-KT7-013	SHIM, TAPPET (2.575)	4	4		
	14957-KT7-013	SHIM, TAPPET (2.600)	4	4		
	14958-KT7-013	SHIM, TAPPET (2.625)	4	4		
	14959-KT7-013	SHIM, TAPPET (2.650)	4	4		
	14960-KT7-013	SHIM, TAPPET (2.675)	4	4		
	14961-KT7-013	SHIM, TAPPET (2.700)	4	4		
	14962-KT7-013	SHIM, TAPPET (2.725)	4	4		
	14963-KT7-013	SHIM, TAPPET (2.750)	4	4		
	14964-KT7-013	SHIM, TAPPET (2.775)	4	4		
	14965-KT7-013	SHIM, TAPPET (2.800)	4	4		
	14966-KT7-013	SHIM, TAPPET (2.825)	4	4		
	14967-KT7-013	SHIM, TAPPET (2.850)	4	4		
	14968-KT7-013	SHIM, TAPPET (2.875)	4	4		
	14969-KT7-013	SHIM, TAPPET (2.900)	4	4		
17	90004-GHB-620	BOLT, FLANGE, 6X14 (NSHF)	1	1		
18	90083-KTW-900	BOLT, KNOCK, 6MM	2	2		

E-5

CAM CHAIN

D 7



Ref. No.	L.O.N.	(Relative ref. Number) Description	F.R.T.
1	110140	CHAIN, CAM	3.2
2	111130	TENSIONER, CAM CHAIN	2.7
4		(7)	
	111133	LIFTER, TENSIONER	0.6
8	111139	GUIDE, CAM CHAIN	2.5

K043E0500

← IFR.

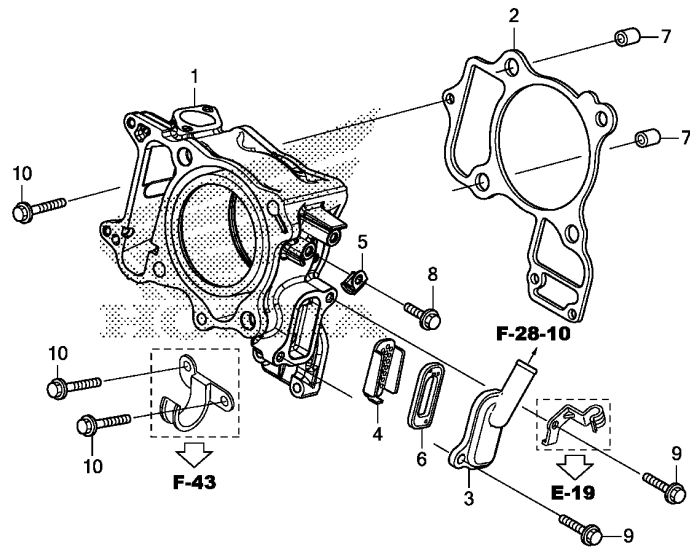
2

Ref. No.	Part No.	Description	Reqd. QTY		Serial No.	Parts catalogue code
			NSS 300 D	NSS 300A D		
1	14401-KFB-751	CHAIN, CAM(104L)(BORG WARNER)	1	1		
2	14510-K04-930	TENSIONER, CAM CHAIN	1	1		
3	14531-KTW-900	BOLT, TENSIONER PIVOT	1	1		
4	14550-KVZ-631	ADJUSTER, CAM CHAIN	1	1		
5	14552-KVZ-631	PLUG, ADJUSTER	1	1		
6	14553-KVZ-631	SPRING, CAM CHAIN ADJUSTER ..	1	1		
7	14555-K04-931	GASKET, CAM CHAIN ADJUSTER ..	1	1		
8	14610-KTW-901	GUIDE, CAM CHAIN	1	1		
9	90421-KAB-003	WASHER, SEALING, 11X19X2	1	1		
10	95701-06022-00	BOLT, FLANGE, 6X22	2	2		

E-6

CYLINDER/REED VALVE

D 8



K043E0600

Ref. No.	L.O.N.	(Relative ref. Number) Description	F.R.T.
1	1111A5	CYLINDER	2.9
2	111102	GASKET, CYLINDER	2.8
6		(4)	
	314125	VALVE, PAIR CHECK	0.3

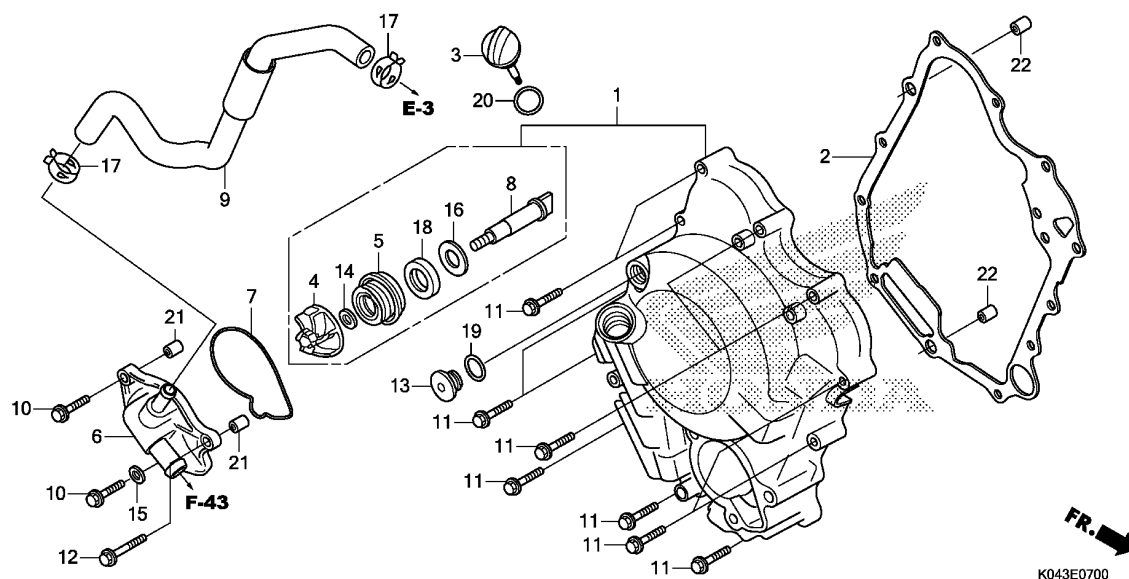
Ref. No.	Part No.	Description	Reqd. QTY		Serial No.	Parts catalogue code
			NSS 300 D	NSS 300A D		
1	12100-K04-930	CYLINDER COMP.	1	1		
2	12191-KTW-901	GASKET, CYLINDER	1	1		
3	12315-K04-930	COVER, REED VALVE	1	1		
4	12341-MAT-750	PLATE, PORT(AI)	1	1		
5	16106-KW7-900	CLIP B, TUBE	1	1		
6	18601-K04-931	VALVE COMP., REED	1	1		
7	94301-12200	DOWEL PIN, 12X20	2	2		
8	95701-06012-00	BOLT, FLANGE, 6X12	1	1		
9	95701-06020-00	BOLT, FLANGE, 6X20	2	2		
10	95701-06028-00	BOLT, FLANGE, 6X28	3	3		

2

E-7

RIGHT CRANKCASE COVER/WATER PUMP

D 9

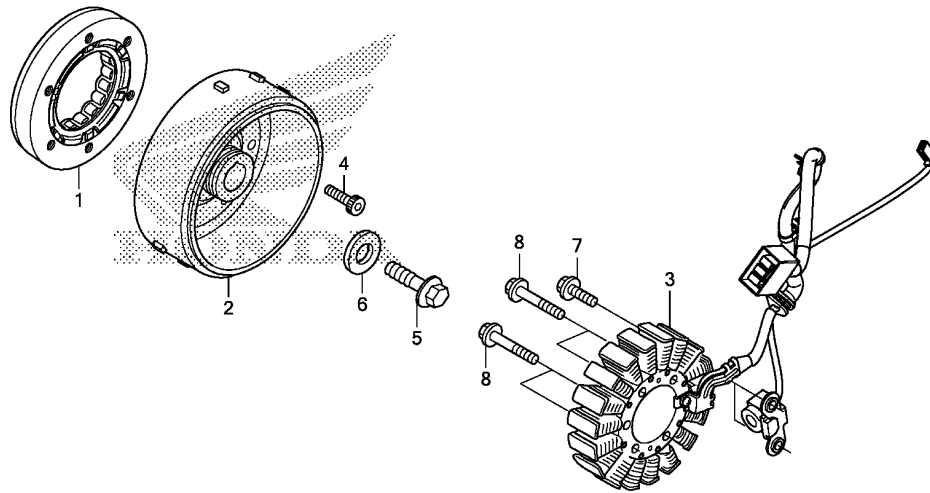


Ref. No.	L.O.N.	(Relative ref. Number) Description	F.R.T.
1	110159	COVER, CRANKCASE :RIGHT	1.5
2	110158	GASKET, CRANKCASE COVER :RIGHT	1.4
4	114105	IMPELLER, WATER PUMP	1.0
5	114110	MECHANICAL SEAL, WATER PUMP ..	1.7
6	1141B0	COVER, WATER PUMP	0.9
7	1141B1	GASKET, WATER PUMP COVER	0.9
8	1141E7	SHAFT, WATER PUMP	1.6
9	1141B4	HOSE, WATER BYPASS	1.0

K043E0700

Ref. No.	Part No.	Description	Reqd. QTY		Serial No.	Parts catalogue code
			NSS 300 D	NSS 300A D		
1	11300-K04-931	COVER ASSY., R.	1	1		
2	11394-KTW-901	GASKET, R. CRANKCASE COVER ..	1	1		
3	15651-K04-930	GAUGE, OIL LEVEL	1	1		
4	19215-KTW-900	IMPELLER, WATER PUMP	1	1		
5	19217-MAL-300	SEAL, MECHANICAL	1	1		
6	19220-K04-930	COVER COMP., WATER PUMP	1	1		
7	19226-KTW-900	GASKET, WATER PUMP COVER	1	1		
8	19241-K04-930	SHAFT, WATER PUMP	1	1		
9	19527-KTW-900	HOSE, WATER BYPASS	1	1		
10	90010-K04-930	BOLT, FLANGE, 6X32(NSHF)	2	2		
11	90011-K04-930	BOLT, FLANGE, 6X40(NSHF)	11	11		
12	90013-K04-930	BOLT, FLANGE, 6X75(NSHF)	1	1		
13	90084-KWA-930	CAP, 14MM	1	1		
14	90423-KJ9-000	WASHER, 7.2X13X1.2	1	1		
15	90441-706-000	WASHER, SEALING, 6MM	1	1		
16	90599-767-C10	WASHER, THRUST, 12X23X2	1	1		
17	90678-MR1-690	CLIP, HOSE	2	2		
18	91202-KTW-901	OIL SEAL, 12X26X5	1	1		
19	91303-377-000	O-RING, 13.8X2.5	1	1		
20	91307-035-000	O-RING, 18X3	1	1		
21	94301-08140	DOWEL PIN, 8X14	2	2		
22	94301-10160	DOWEL PIN, 10X16	2	2		

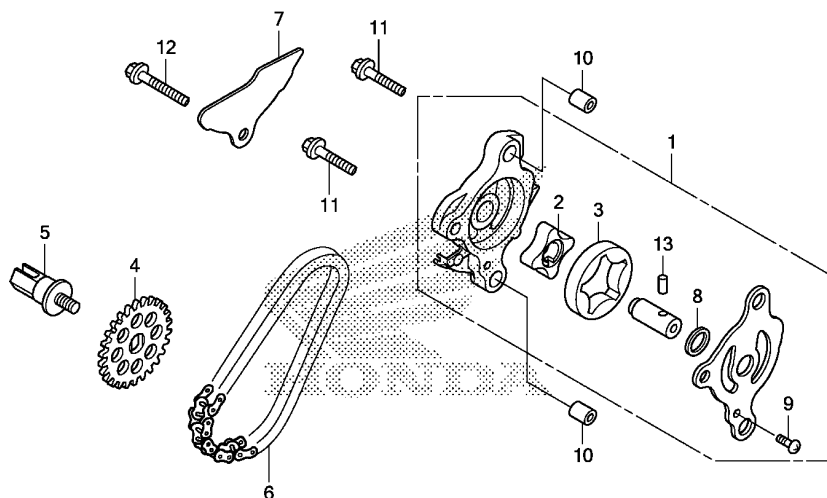
2



Ref. No.	L.O.N.	(Relative ref. Number) Description	F.R.T.
1	612131	OUTER, STARTING CLUTCH	1.8
2	613105	ROTOR OR FLYWHEEL	1.8
3	6131A3	STATOR	1.8

Ref. No.	Part No.	Description	Reqd. QTY		Serial No.	Parts catalogue code
			NSS 300 D	NSS 300A D		
1	28125-HN5-671	OUTER COMP., STARTING CLUTCH	1	1		
2	31110-K04-931	FLYWHEEL COMP.(MITSUBA)	1	1		
3	31120-K04-931	STATOR COMP.(MITSUBA)	1	1		
4	90002-KVZ-630	BOLT, SOCKET, 6MM	6	6		
5	90023-MV9-670	BOLT, FLANGE, 10MM	1	1		
6	90402-KTW-900	WASHER, 10MM	1	1		
7	96001-06016-00	BOLT, FLANGE, 6X16	2	2		
8	96001-06032-00	BOLT, FLANGE, 6X32	4	4		



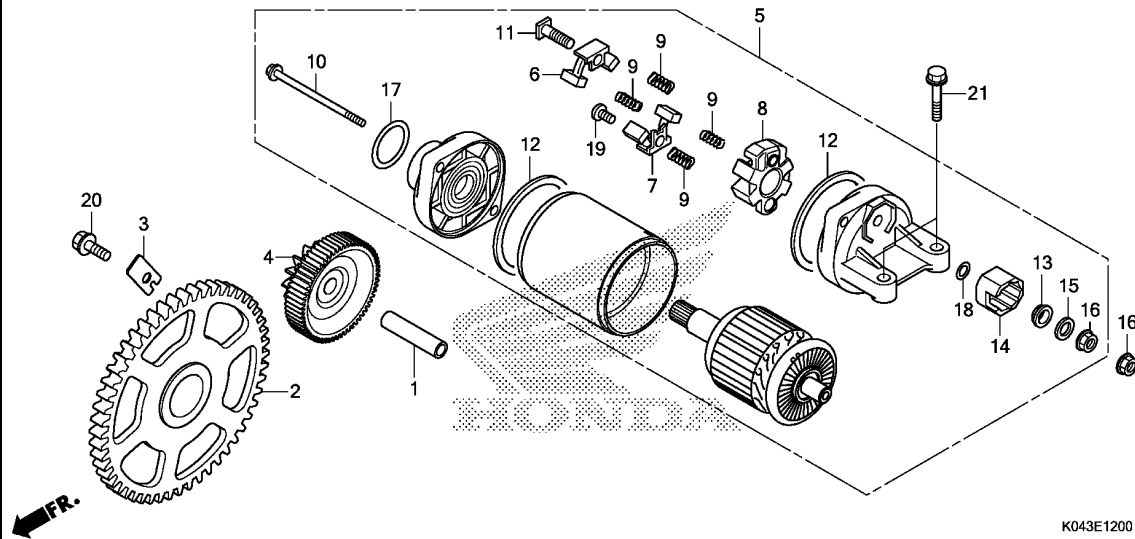


← IFR.

K043E1100

Ref. No.	L.O.N.	(Relative ref. Number) Description	F.R.T.
1		(2,3)	
1	113105	PUMP ASSY., OIL	2.0
4	113111	SPROCKET, OIL PUMP DRIVEN	1.5
6	113122	CHAIN, OIL PUMP DRIVE	3.3

Ref. No.	Part No.	Description	Reqd. QTY		Serial No.	Parts catalogue code
			NSS 300 D	NSS 300A D		
1	15100-KTW-900	PUMP ASSY., OIL	1	1		
2	15121-MG3-000	ROTOR, INNER	1	1		
3	15122-MG3-000	ROTOR, OUTER	1	1		
4	15134-K04-930	SPROCKET, OIL PUMP DRIVEN(26T)	1	1		
5	15135-K04-930	BOLT, SPECIAL OIL PUMP	1	1		
6	15141-K04-931	CHAIN, OIL PUMP(54L)(DAIDO) -	1	1		
7	15711-KTW-900	PLATE, OIL SEPARATOR	1	1		
8	90456-333-000	WASHER, THRUST, 11MM	1	1		
9	93500-03008-0A	SCREW, PAN, 3X8	1	1		
10	94301-08140	DOWEL PIN, 8X14	2	2		
11	95701-06030-00	BOLT, FLANGE, 6X30	2	2		
12	95701-06050-00	BOLT, FLANGE, 6X50	1	1		
13	96220-40158	ROLLER, 4X15.8	1	1		

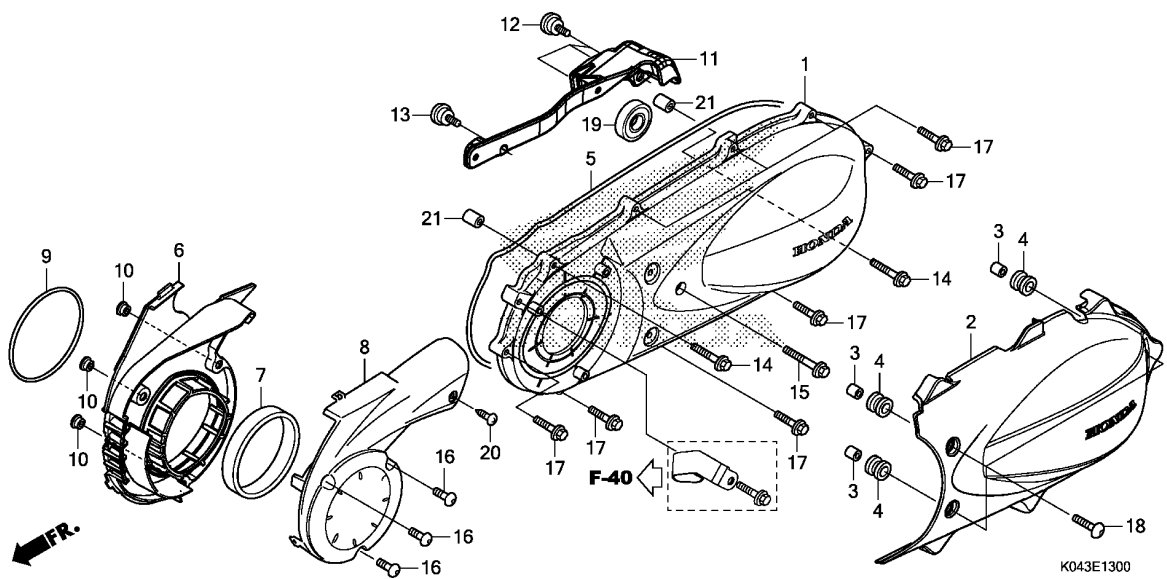


K043E1200

Ref. No.	L.O.N.	(Relative ref. Number) Description	F.R.T.
2	612120	GEAR, STARTER DRIVEN	1.6
4	612125	GEAR, STARTER REDUCTION	1.6
5		(17)	
6	612105	MOTOR, STARTING	0.9
		(7,8,9,12)	
	6121A4	TERMINAL, BRUSH(STARTER)	1.0
.NOTE: Same time for two units			

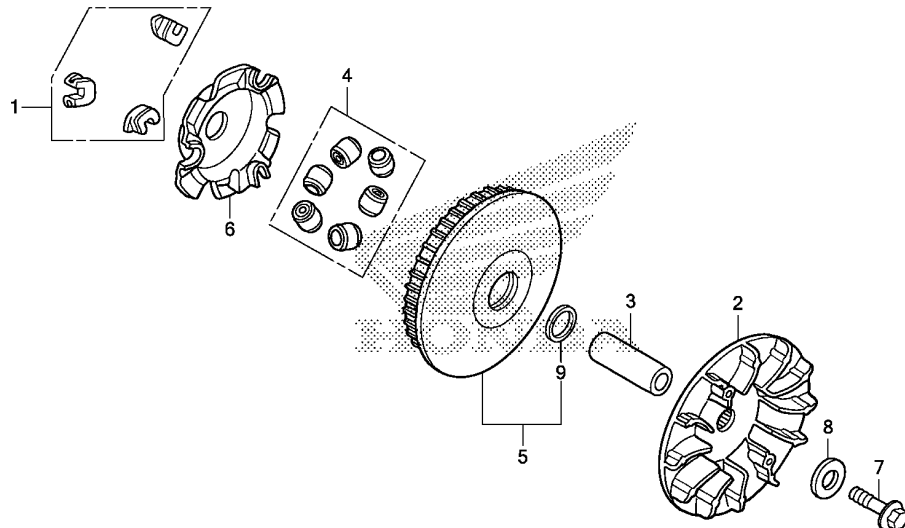
Ref. No.	Part No.	Description	Reqd. QTY		Serial No.	Parts catalogue code
			NSS 300 D	NSS 300A D		
1	28102-ME9-000	PIN, 10X44	1	1		
2	28110-K04-930	GEAR COMP., STARTER DRIVEN (52T)	1	1		
3	28115-KTW-900	GUIDE, STARTING DRIVEN GEAR	1	1		
4	28131-K04-930	GEAR, STARTER REDUCTION (62T/13T)	1	1		
5	31200-KTW-B01	MOTOR ASSY., STARTER	1	1		
6	31201-MEW-921	BRUSH SET A, CARBON	1	1		
7	31202-MEW-921	BRUSH SET B, CARBON	1	1		
8	31203-MEW-921	HOLDER, BRUSH	1	1		
9	31204-MEW-921	SPRING, CARBON BRUSH	4	4		
10	31205-HP5-601	BOLT, SETTING	2	2		
11	31206-MEW-921	BOLT, TERMINAL	1	1		
12	31207-HP5-601	RING	2	2		
13	31208-MEW-921	INSULATOR	1	1		
14	31209-MEW-921	STOPPER, TERMINAL	1	1		
15	31210-MEW-921	WASHER	1	1		
16	90071-MB0-000	NUT-WASHER, 6MM	2	2		
17	91309-425-003	O-RING, 24.4X3.1(ARAI)	1	1		
18	91320-MB0-000	O-RING, 4X2	1	1		
19	93892-05012-08	SCREW-WASHER, 5X12	1	1		
20	95701-06014-00	BOLT, FLANGE, 6X14	1	1		
21	95701-06025-00	BOLT, FLANGE, 6X25	2	2		





Ref. No.	L.O.N.	(Relative ref. Number) Description	F.R.T.
1	1101A6	COVER, CRANKCASE :LEFT	0.6
2	1101P2	COVER, CRANKCASE OUTER :LEFT ..	0.1
5	1101A3	GASKET, CRANKCASE COVER :LEFT ..	0.4
7	1101H5	ELEMENT, BELT COVER DUCT	0.2
8		(6,9)	
	1101H4	DUCT, BELT COVER	0.2
19	2101H8	BEARING, DRIVESHAFT :LEFT COVER SIDE	0.6

Ref. No.	Part No.	Description	Reqd. QTY		Serial No.	Parts catalogue code
			NSS 300 D	NSS 300A D		
1	11341-K04-931	COVER, L.	1	1		
2	11350-K04-930	COVER COMP., L. SIDE OUTER ..	1	1		
3	11355-KWN-700	COLLAR, L. SIDE OUTER COVER ..	3	3		
4	11356-KWN-700	RUBBER, L. SIDE OUTER COVER ..	3	3		
5	11395-KTW-900	GASKET, L. CRANKCASE COVER ..	1	1		
6	19411-K04-930	DUCT COMP., BELT COVER	1	1		
7	19412-KTW-900	ELEMENT, BELT COVER DUCT	1	1		
8	19414-KTW-901	CAP, DUCT COVER	1	1		
9	19415-KTW-900	SEAL, BELT COVER DUCT	1	1		
10	19416-KEY-900	COLLAR	3	3		
11	32112-K04-930	PROTECTOR, SPEED SENSOR	1	1		
12	90001-K04-930	BOLT, SOCKET, 6X18	3	3		
13	90002-K04-930	BOLT, SOCKET, 6X22	1	1		
14	90004-GHB-710	BOLT, FLANGE, 6X40(NSHF)	2	2		
15	90004-GHB-730	BOLT, FLANGE, 6X50(NSHF)	1	1		
16	90006-K04-930	BOLT, SPECIAL, 6X18	3	3		
17	90007-K04-930	BOLT, FLANGE, 6X32(NSHF)	8	8		
18	90085-K04-930	BOLT, SPECIAL, 6X22	3	3		
19	91008-K04-931	BEARING, RADIAL BALL, 6004UU ..	1	1		
20	93903-34480	SCREW, TAPPING, 4X16	1	1		
21	94301-08140	DOWEL PIN, 8X14	2	2		

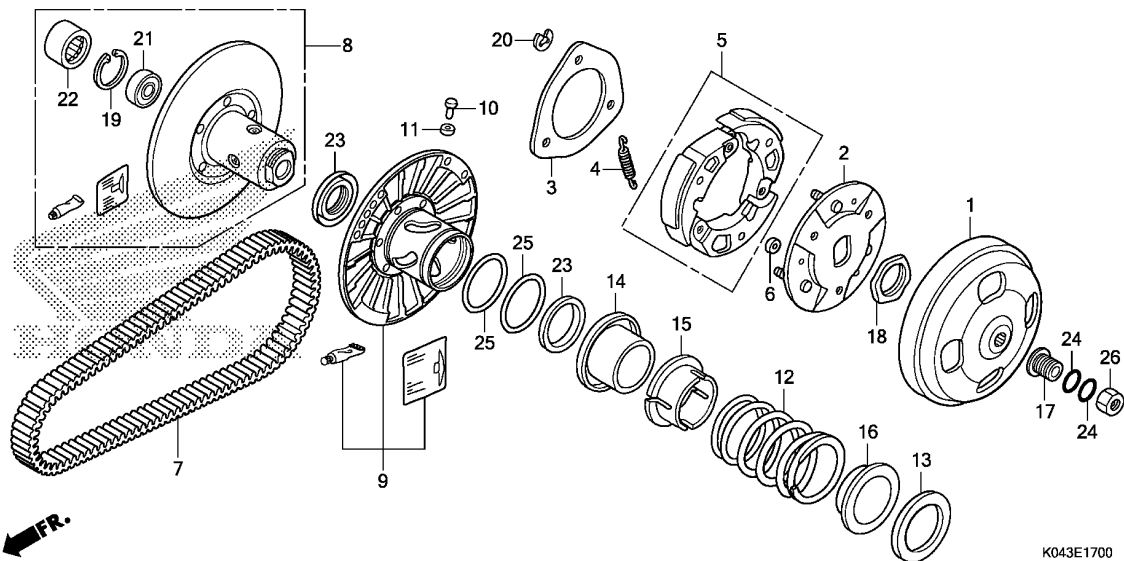


K043E1600

Ref. No.	L.O.N.	(Relative ref. Number) Description	F.R.T.
2	2111A0	FACE, DRIVE (1,6)	0.6
4	2111A4	ROLLER, WEIGHT	0.6
5	2111A1	FACE, MOVABLE DRIVE	0.6

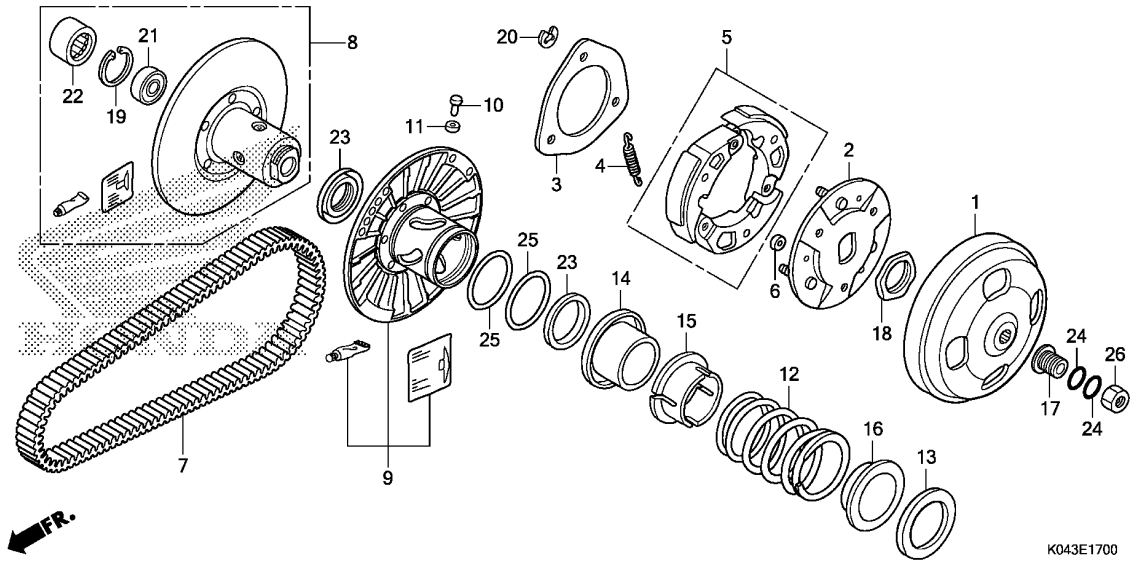
Ref. No.	Part No.	Description	Reqd. QTY		Serial No.	Parts catalogue code
			NSS 300 D	NSS 300A D		
1	22011-K04-930	PIECE SET, SLIDE	1	1		
2	22102-KTW-900	FACE, DRIVE	1	1		
3	22104-KSV-J20	BOSS B, DRIVE FACE	1	1		
4	22123-KVZ-640	ROLLER SET, WEIGHT	1	1		
5	22130-KTW-901	FACE COMP. B, MOVABLE DRIVE	1	1		
6	22131-KTW-900	PLATE, RAMP	1	1		
7	90023-MV9-670	BOLT, FLANGE, 10MM	1	1		
8	90401-KTW-900	WASHER, 10.5X29X4	1	1		
9	91203-KSV-J21	OIL SEAL, 30X37X3.5	1	1		





Ref. No.	L.O.N.	(Relative ref. Number) Description	F.R.T.
1	2121A0	OUTER, CLUTCH	0.5
5		(2,4)	
5	2121A6	WEIGHT SET, CLUTCH	1.0
7	2111B2	BELT, DRIVE	0.6
8		(10,11,14)	
8	2111A2	FACE, DRIVEN	0.9
9		(23,25)	
9	2111A3	FACE, MOVABLE DRIVEN	1.0
12		(15,16)	
12	2111A7	SPRING, DRIVEN FACE	0.8
22		(21)	
22	2111A8	BEARING, DRIVEN FACE	1.1
	2111A8A	.Replace 1 bearing add	0.1

Ref. No.	Part No.	Description	Reqd. QTY		Serial No.	Parts catalogue code
			NSS 300 D	NSS 300A D		
1	22100-KFG-000	OUTER COMP., CLUTCH	1	1		
2	22350-KFG-000	PLATE COMP., DRIVE	1	1		
3	22361-KFG-000	PLATE, CLUTCH SIDE	1	1		
4	22401-KEY-900	SPRING, CLUTCH	3	3		
5	22535-KVZ-630	WEIGHT SET, CLUTCH	1	1		
6	22804-GB2-000	RUBBER, CLUTCH DAMPER	3	3		
7	23100-K04-931	BELT, DRIVE (MITSUBOSHI)	1	1		
8	23205-KTW-900	FACE SET, DRIVEN	1	1		
9	23224-KTW-900	FACE SET, MOVABLE DRIVEN	1	1		
10	23225-KM1-010	PIN, ROLLER GUIDE	4	4		
11	23226-KM1-010	ROLLER, GUIDE	4	4		
12	23233-KTW-900	SPRING, DRIVEN FACE	1	1		
13	23236-KSV-J10	SEAT, DRIVEN FACE SPRING	1	1		
14	23237-KSV-J10	COLLAR, SEAL	1	1		
15	23238-KSV-J10	COLLAR A, SPRING GUIDE	1	1		
16	23239-KSV-J10	COLLAR B, SPRING GUIDE	1	1		
17	23415-KVZ-K10	COLLAR, DRIVE SHAFT	1	1		
18	90202-KM1-000	NUT, SPECIAL, 30MM	1	1		
19	90603-KSV-J10	CIRCLIP, INTERNAL, 28MM	1	1		
20	90605-166-720	CIRCLIP, 7MM	3	3		
21	91002-GA7-701	BEARING, RADIAL BALL, 6902U (NTN)	1	1		
	91002-GA7-702	BEARING, RADIAL BALL, 6902U (FUJIKOSHI)	1	1		
22	91002-KPB-003	BEARING, NEEDLE, 25X33X18	1	1		



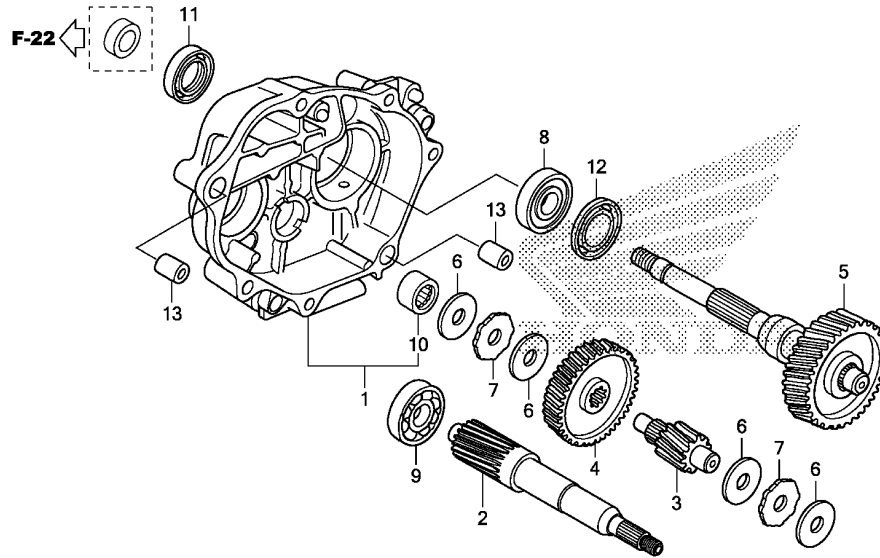
Ref. No.	Part No.	Description	Reqd. QTY		Serial No.	Parts catalogue code
			NSS 300 D	NSS 300A D		
23	91211-KM1-005	SEAL, DRIVEN FACE, 40X47X4 ..	2	2		
24	91301-K04-930	O-RING, 16.5X1.5	2	2		
25	91352-KM1-003	O-RING, 47X1.9(NOK)	2	2		
	91352-KM1-005	O-RING, 47X1.9(ARAI)	2	2		
26	94001-12200-0S	NUT, HEX., 12MM	1	1		



E-17-10

TRANSMISSION

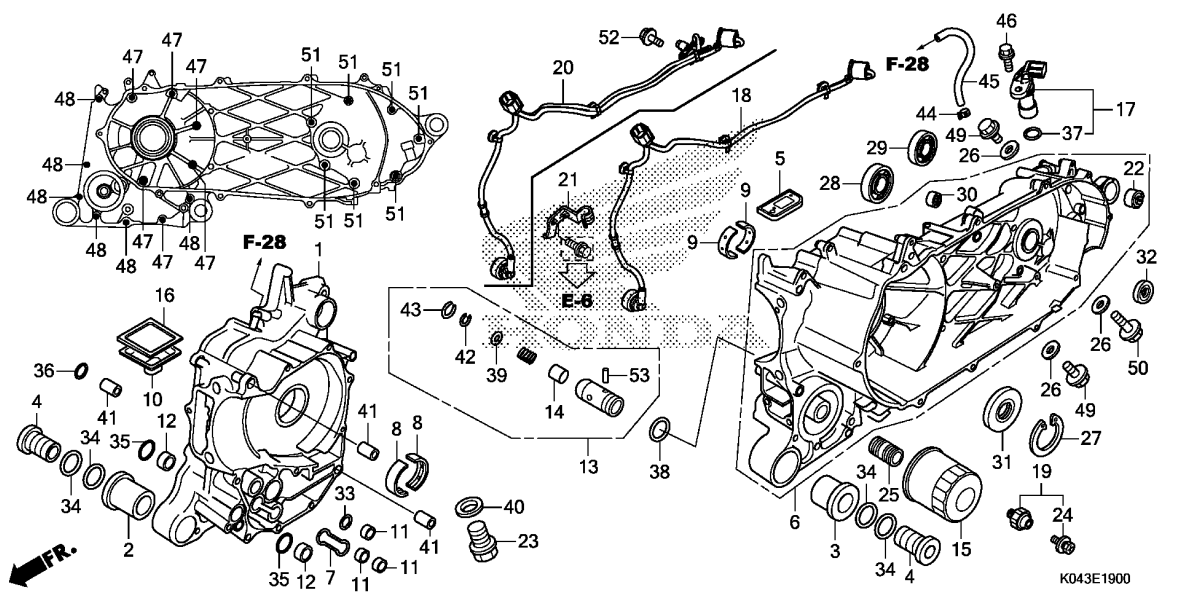
E 1



Ref. No.	L.O.N.	(Relative ref. Number) Description	F.R.T.
1	2101A2	CASE, TRANSMISSION	1.6
2	2101E9	SHAFT, DRIVE	1.6
3	210142	COUNTERSHAFT, TRANSMISSION ...	1.3
4	2101A5	GEAR, COUNTER	1.3
5	210170	SHAFT, FINAL GEAR	1.3
8		(11,12)	
	2101E6	BEARING, FINAL GEAR SHAFT :RIGHT	1.5
	2101J0	BEARING, FINAL GEAR SHAFT :BOTH	1.6
9	2101F1	BEARING, DRIVESHAFT :RIGHT ...	1.5
	2101J1	BEARING, DRIVESHAFT :BOTH ...	1.7
10	2101C8	BEARING, COUNTERSHAFT :RIGHT ..	1.5
	2101C9	BEARING, COUNTERSHAFT :BOTH ..	1.6

Ref. No.	Part No.	Description	Reqd. QTY		Serial No.	Parts catalogue code
			NSS 300 D	NSS 300A D		
1	21300-K04-930	CASE COMP., MISSION	1	1		
2	23411-K04-930	SHAFT, DRIVE(18T)	1	1		
3	23421-K04-930	SHAFT, COUNTER(12T)	1	1		
4	23422-K04-930	GEAR, COUNTER(44T)	1	1		
5	23430-K04-930	GEAR COMP., FINAL(37T)	1	1		
6	90411-KTW-B00	WASHER, 14X42X1	4	4		
7	90412-K04-930	WASHER, SIDE, 14MM	2	2		
8	91006-KAB-004	BEARING, RADIAL BALL, 6205-2NSG	1	1		
9	91007-K04-931	BEARING, RADIAL BALL, 6302 ..	1	1		
10	91106-KM1-013	BEARING, NEEDLE, 14X22X16 ...	1	1		
11	91251-KSV-J11	DUST SEAL, 34X46X8	1	1		
12	91253-KM1-003	OIL SEAL, 34X52X5(NOK)	1	1		
13	94301-12160	PIN A, DOWEL, 12X16	2	2		

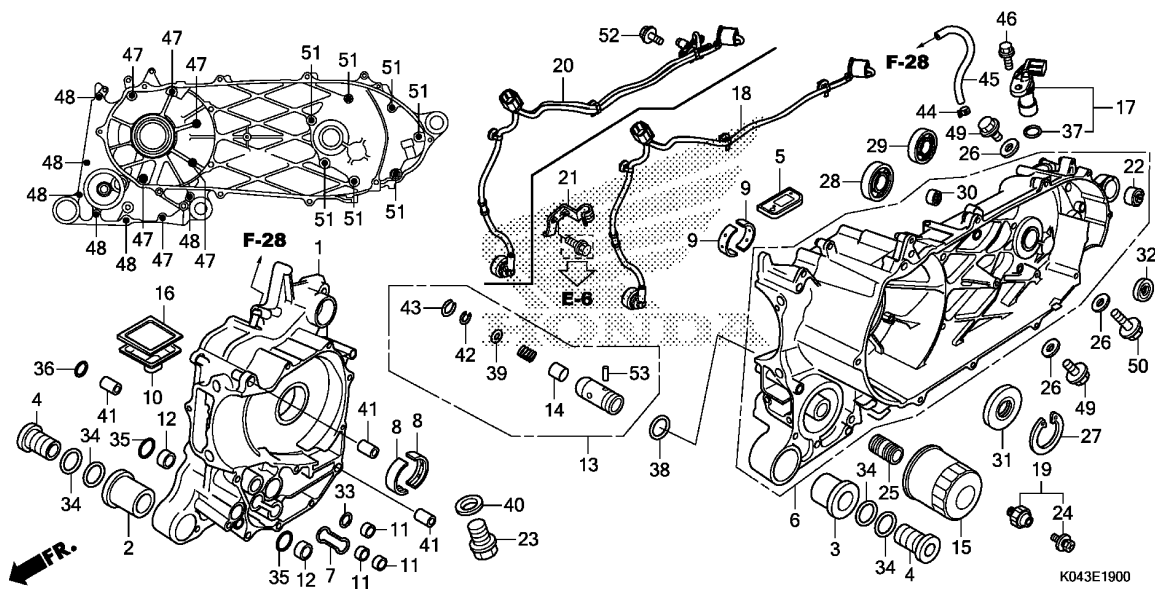
2



Ref. No.	L.O.N.	(Relative ref. Number) Description	F.R.T.
1	110120	CRANKCASE :RIGHTINCLUDES: Engine removal and installation	5.3
5	1101L3	ONE WAY VALVE, CRANKCASEINCLUDES: Engine removal and installation	4.8
6	110115	CRANKCASE :LEFTINCLUDES: Engine removal and installation	5.7
	1101A2	CRANKCASE :BOTHINCLUDES: Engine removal and installation	5.9
8	1101B7	BEARING, CRANKSHAFT :RIGHTINCLUDES: Engine removal and installation	5.2
9	1101B6	BEARING, CRANKSHAFT :LEFTINCLUDES: Engine removal and installation	5.2
	1101G0	BEARING, CRANKSHAFT :BOTHINCLUDES: Engine removal and installation	5.4
10	1131B6	STRAINER, OIL	1.4
13	113126	VALVE, RELIEF	4.8
		.INCLUDES: Engine removal and installation	

Ref. No.	Part No.	Description	Reqd. QTY		Serial No.	Parts catalogue code
			NSS 300 D	NSS 300A D		
1	11100-K04-932	CRANKCASE COMP., R.	1	1		
2	11103-K04-930	BUSH, R. OUTER ENGINE HANGER	1	1		
3	11104-K04-930	BUSH, L. OUTER ENGINE HANGER	1	1		
4	11105-KTW-900	BUSH, INNER ENGINE HANGER ...	2	2		
5	11110-KTW-901	VALVE COMP., REED	1	1		
6	11200-K04-931	CRANKCASE COMP., L.	1	1		
7	11205-KTW-900	GASKET, OIL PATH	1	1		
8	13312-KTW-901	BEARING A, CRANKSHAFT R. SIDE (BLUE)	2	2		
	13313-KTW-901	BEARING B, CRANKSHAFT R. SIDE (BLACK)	2	2		
	13314-KTW-901	BEARING C, CRANKSHAFT R. SIDE (BROWN)	2	2		
	13315-KTW-901	BEARING D, CRANKSHAFT R. SIDE (GREEN)	2	2		
	13316-KTW-901	BEARING E, CRANKSHAFT R. SIDE (BLUE/BLUE) (O.S.)	(2)	(2)		
	13317-KTW-901	BEARING F, CRANKSHAFT R. SIDE (BLACK/BLACK) (O.S.)	(2)	(2)		
	13318-KTW-901	BEARING G, CRANKSHAFT R. SIDE (BROWN/BROWN) (O.S.)	(2)	(2)		
	13319-KTW-901	BEARING H, CRANKSHAFT R. SIDE (GREEN/GREEN) (O.S.)	(2)	(2)		
9	13322-KTW-901	BEARING A, CRANKSHAFT L. SIDE (BLUE)	2	2		
	13323-KTW-901	BEARING B, CRANKSHAFT L. SIDE (BLACK)	2	2		

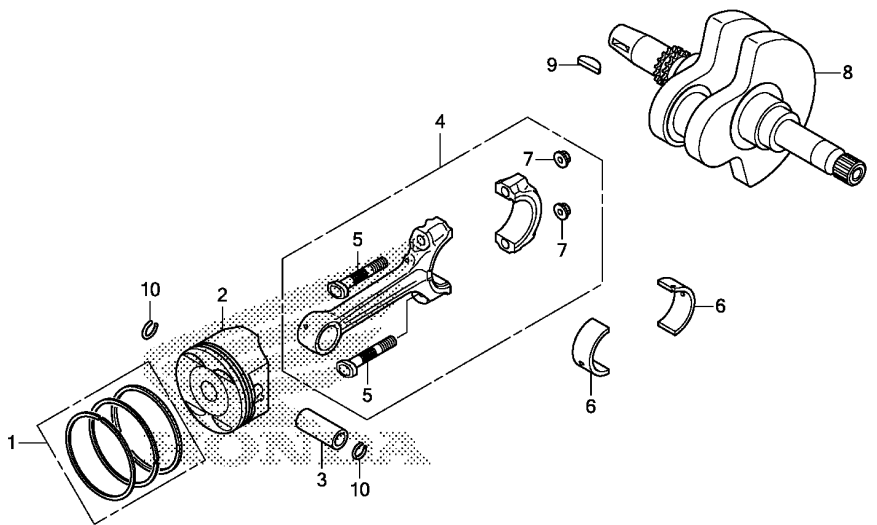




Ref. No.	L.O.N.	(Relative ref. Number) Description	F.R.T.
15	113180	CARTRIDGE, OIL FILTER	0.2
16	1131B5	SCREEN, OIL FILTER	1.4
17	617198	SENSOR, SPEEDOMETER	1.2
18	6111A3	SUB CORD, SPEED SENSOR	1.2
19	615160	SWITCH, OIL PRESSURE	0.2
20	617197	SENSOR, WHEEL SPEED :REAR	1.3
28	2101F0	BEARING, DRIVESHAFT :LEFT	1.6
	2101J1	BEARING, DRIVESHAFT :BOTH	1.7
29	2101E5	BEARING, FINAL GEAR SHAFT :LEFT	1.5
	2101J0	BEARING, FINAL GEAR SHAFT :BOTH	1.6
30	2101C7	BEARING, COUNTERSHAFT :LEFT ..	1.5
	2101C9	BEARING, COUNTERSHAFT :BOTH ..	1.6
31	110131	OIL SEAL, CRANKSHAFT :LEFT ...	4.9
		.INCLUDES: Engine removal and installation	
32	2101E7	OIL SEAL, DRIVESHAFT	1.6

Ref. No.	Part No.	Description	Reqd. QTY		Serial No.	Parts catalogue code
			NSS 300 D	NSS 300A D		
(9)	13324-KTW-901	BEARING C, CRANKSHAFT L. SIDE (BROWN)	2	2		
	13325-KTW-901	BEARING D, CRANKSHAFT L. SIDE (GREEN)	2	2		
	13326-KTW-901	BEARING E, CRANKSHAFT L. SIDE (BLUE/BLUE) (O.S.)	(2)	(2)		
	13327-KTW-901	BEARING F, CRANKSHAFT L. SIDE (BLACK/BLACK) (O.S.)	(2)	(2)		
	13328-KTW-901	BEARING G, CRANKSHAFT L. SIDE (BROWN/BROWN) (O.S.)	(2)	(2)		
	13329-KTW-901	BEARING H, CRANKSHAFT L. SIDE (GREEN/GREEN) (O.S.)	(2)	(2)		
10	15153-HN7-000	STRAINER, OIL	1	1		
11	15155-300-000	COLLAR, O-RING	3	3		
12	15155-HP0-A00	COLLAR, O-RING	2	2		
13	15220-KTW-900	VALVE ASSY., RELIEF	1	1		
14	15231-413-020	VALVE, RELIEF	1	1		
15	15410-MFJ-D01	CARTRIDGE, OIL FILTER (TOYO ROKI)	1	1		
16	15421-K04-930	SCREEN, OIL FILTER	1	1		
17	28810-R90-013	PICK UP ASSY. (TOYO)	1	1		
18	32105-K04-930	SUB CORD, ENGINE	1	-		
19	35500-MEH-661	SWITCH ASSY., OIL PRESSURE (DENSO)	1	1		
20	38510-K04-971	SENSOR, RR. WHEEL SPEED	-	1		

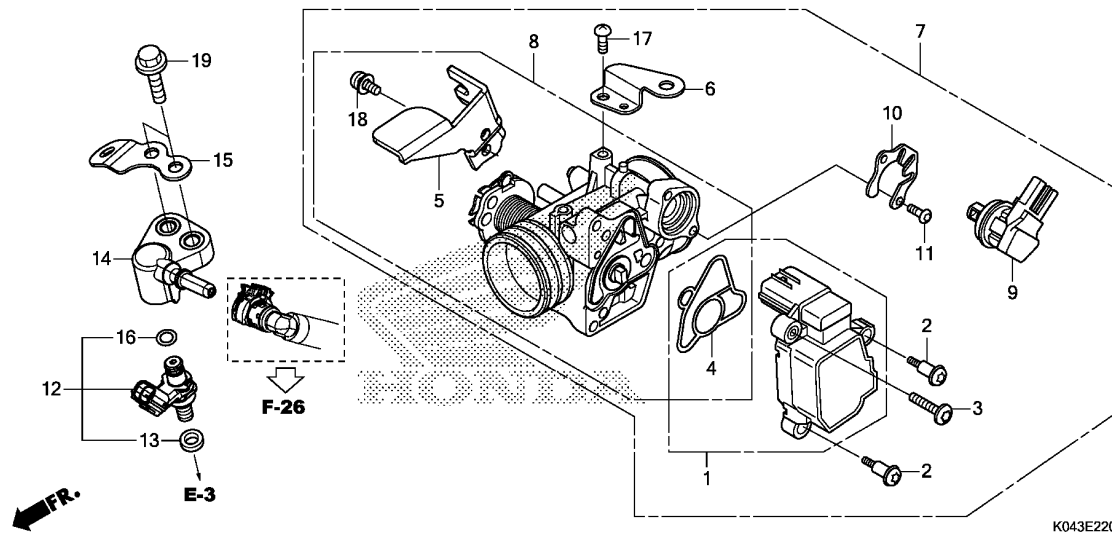
Ref. No.	Part No.	Description	Reqd. QTY		Serial No.	Parts catalogue code
			NSS 300 D	NSS 300A D		
21	38515-KTW-900	GUIDE, OIL PRESSURE SWITCH CORD	1	1		
22	52108-KTW-B00	BUSH, DAMPER	1	1		
23	90002-KTW-900	BOLT, DRAIN PLUG, 12MM	1	1		
24	90002-PA6-003	BOLT-WASHER, 4X8(DENSO)	1	1		
25	90019-MGZ-J00	BOSS, OIL FILTER	1	1		
26	90474-333-000	WASHER, SEALING, 8MM	3	3		
27	90601-K04-930	CIRCLIP, INTERNAL, 65	1	1		
28	91005-KPB-003	BEARING, RADIAL BALL, 6205SPL	1	1		
29	91102-GE1-711	BEARING, RADIAL BALL, 6204 (TOYO)	1	1		
30	91105-KTW-901	BEARING, NEEDLE, 14X22X20 ...	1	1		
31	91201-K04-931	OIL SEAL, 33X64X7	1	1		
32	91251-KPB-003	OIL SEAL, 25X35X5	1	1		
33	91303-K04-930	O-RING, 14.8X2.4(NOK)	1	1		
34	91304-K04-930	O-RING, 15.8X2.4	4	4		
35	91305-K04-930	O-RING, 16.5X2.5	2	2		
36	91307-K04-930	O-RING, 9.8X2.4	1	1		
37	91309-PX4-003	O-RING, 16X2.1(NOK)	1	1		
38	91313-K04-930	O-RING, 14.7X2.2	1	1		
39	94101-05800	WASHER, PLAIN, 5MM	1	1		
40	94109-12000	WASHER, DRAIN PLUG, 12MM	1	1		
41	94301-10160	DOWEL PIN, 10X16	3	3		
42	94520-12000	CIRCLIP, INTERNAL, 12MM	1	1		
43	94601-16000	CLIP, PISTON PIN, 16MM	1	1		
44	95002-41000-08	CLAMP, TUBE(D10)	1	1		
45	95005-55120-20	TUBE, 5.3X120(95005-55001-20M)	1	1		
46	95701-06016-00	BOLT, FLANGE, 6X16	1	1		
47	95701-06055-00	BOLT, FLANGE, 6X55	6	6		
48	95701-06080-00	BOLT, FLANGE, 6X80	6	6		
49	95701-08012-00	BOLT, FLANGE, 8X12	2	2		
50	95701-08025-00	BOLT, FLANGE, 8X25	1	1		
51	95701-08060-00	BOLT, FLANGE, 8X60	7	7		
52	96001-06016-07	BOLT, FLANGE, 6X16	-	2		
53	96220-30178	ROLLER, 3X17.8	1	1		



K043E2000

Ref. No.	L.O.N.	(Relative ref. Number) Description	F.R.T.
2		(1,3,10)	
111103		PISTON RING AND/OR PISTON(ONE) (6)	3.0
4		110145 ROD, CONNECTING(ONE)	5.1
		.INCLUDES: Engine removal and installation	
8		1101B5 CRANKSHAFT	5.7
		.INCLUDES: Engine removal and installation	

Ref. No.	Part No.	Description	Reqd. QTY		Serial No.	Parts catalogue code
			NSS 300 D	NSS 300A D		
1	13011-KTW-900	RING SET, PISTON(STD.)	1	1		
	13021-KTW-900	RING SET, PISTON(O.S. 0.25) -	(1)	(1)		
	13031-KTW-900	RING SET, PISTON(O.S. 0.50) -	(1)	(1)		
2	13101-K04-930	PISTON(STD)	1	1		
	13102-K04-930	PISTON(O.S. 0.25)	(1)	(1)		
	13103-K04-930	PISTON(O.S. 0.50)	(1)	(1)		
3	13111-K04-930	PIN, PISTON	1	1		
4	13210-KTW-901	ROD ASSY., CONNECTING	1	1		
5	13213-ML7-020	BOLT, CONNECTING ROD	2	2		
6	13214-MM4-000	BEARING A, CONNECTING ROD (BLUE)	2	2		
	13215-MM4-000	BEARING B, CONNECTING ROD (BLACK)	2	2		
	13216-MM4-000	BEARING C, CONNECTING ROD (BROWN)	2	2		
	13217-MM4-000	BEARING D, CONNECTING ROD (GREEN)	2	2		
	13218-MM4-000	BEARING E, CONNECTING ROD (YELLOW)	2	2		
7	13215-ML7-000	NUT, CONNECTING ROD	2	2		
8	13310-KTW-900	CRANKSHAFT	1	1		
9	90741-HN5-670	KEY, SPECIAL WOODRUFF, 25X14	1	1		
10	94601-17000	CLIP, PISTON PIN, 17MM	2	2		



Ref. No.	L.O.N.	(Relative ref. Number) Description	F.R.T.
1		(4)	
617115		SENSOR, THROTTLE	0.6
7		BODY ASSY., THROTTLE	0.7
311132		BODY, THROTTLE	0.8
8		BODY, THROTTLE	0.8
9		VALVE, IDLE AIR CONTROL	0.6
3111N5		(13,14,16)	
12		INJECTOR, FUEL	0.7
311145			

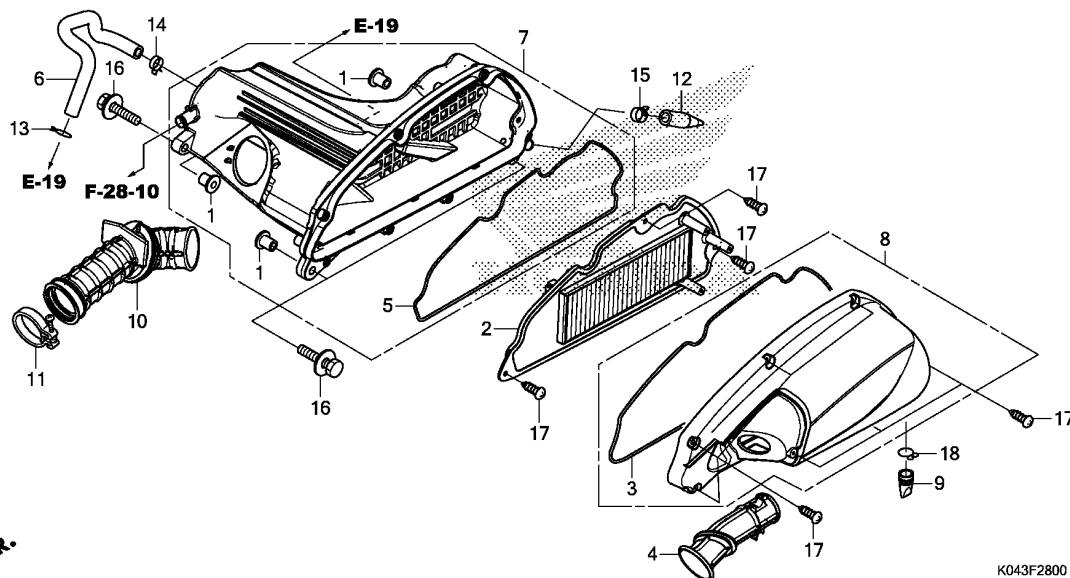
Ref. No.	Part No.	Description	Reqd. QTY		Serial No.	Parts catalogue code
			NSS 300 D	NSS 300A D		
1	16060-GFZ-003	SENSOR SET	1	1		
2	16081-KPH-701	SCREW, TORX, 5X8.7	2	2		
3	16082-KPH-701	SCREW, TORX, 5X17	1	1		
4	16083-KTR-941	O-RING, THROTTLE BODY	1	1		
5	16169-K04-931	STAY, WIRE	1	1		
6	16196-KTW-901	STAY, HARNESS CLAMPER	1	1		
7	16400-K04-931	THROTTLE BODY ASSY.(GQBHA A)	1	1		
8	16410-K04-931	BODY SET	1	1		
9	16430-KTW-911	VALVE ASSY., IDLE AIR CONTROL	1	1		
10	16432-GFM-901	PLATE, IDLE AIR CONTROL VALVE	1	1		
11	16433-HN8-A61	SCREW, TORX	2	2		
12	16450-MGC-D21	INJECTOR ASSY., FUEL	1	1		
13	16472-KPC-D50	RING, SEAL	1	1		
14	17565-K04-930	JOINT COMP., INJECTOR	1	1		
15	17571-K04-930	STAY, HARNESS	1	1		
16	91301-GGL-J01	O-RING, 6.3X2.2	1	1		
17	93500-05010-1H	SCREW, PAN, 5X10	1	1		
18	93892-05012-18	SCREW-WASHER, 5X12	1	1		
19	95701-06025-00	BOLT, FLANGE, 6X25	2	2		



F-28

AIR CLEANER

H 7



Ref. No.	L.O.N.	(Relative ref. Number) Description	F.R.T.
2		(3,5)	
	312105	ELEMENT, AIR CLEANER	0.2
7	3121A5	CASE, AIR CLEANER	0.7
8		(4)	
	312102	COVER, AIR CLEANER CASE	0.3
10	3121B6	TUBE, AIR CLEANER CONNECTING -	0.7

FR.

K043F2800

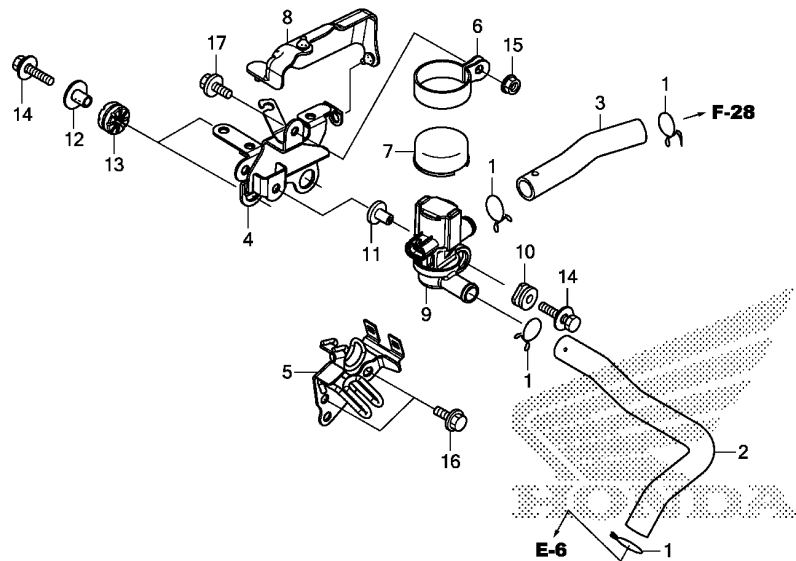
3

Ref. No.	Part No.	Description	Reqd. QTY		Serial No.	Parts catalogue code
			NSS 300 D	NSS 300A D		
1	17208-GR1-010	COLLAR, AIR CLEANER SETTING -	3	3		
2	17210-K04-930	ELEMENT COMP., AIR CLEANER ..	1	1		
3	17213-KTW-900	SEAL, AIR CLEANER	1	1		
4	17215-K04-930	DUCT, AIR CLEANER	1	1		
5	17218-KFG-000	SEAL, AIR CLEANER	1	1		
6	17218-K04-930	TUBE, BREATHER	1	1		
7	17225-K04-931	CASE SUB ASSY., AIR CLEANER -	1	1		
8	17235-K04-930	COVER SUB ASSY., AIR CLEANER	1	1		
9	17236-KVB-900	PLUG, AIR CLEANER DRAIN	1	1		
10	17253-K04-931	TUBE, AIR CLEANER CONNECTING	1	1		
11	17255-K04-930	BAND, AIR CLEANER CONNECTING TUBE(52)	1	1		
12	17261-KSV-J00	TUBE, DRAIN	1	1		
13	90661-GHB-630	CLAMP B, TUBE, 14.5MM	1	1		
14	90682-SAO-671	CLAMP, CANISTER HOSE	1	1		
15	91406-MS8-000	CLAMP, TUBE(D14.5)	1	1		
16	93404-06030-00	BOLT-WASHER, 6X30	3	3		
17	93903-25480	SCREW, TAPPING, 5X20	10	10		
18	95002-80000	CLIP, TUBE(C12)	1	1		

F-28-10

AIR INJECTION SOLENOID VALVE

H 8

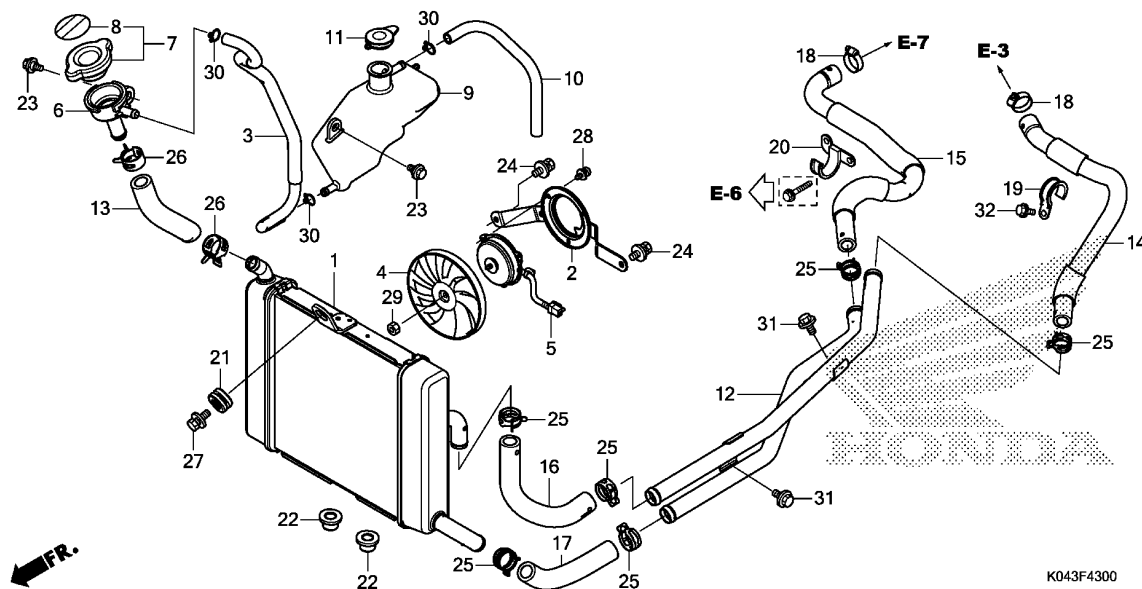


Ref. No.	L.O.N.	(Relative ref. Number) Description	F.R.T.
----------	--------	------------------------------------	--------

9	314130	VALVE, SECONDARY AIR CONTROL	0.6
---	--------	------------------------------	-----

Ref. No.	Part No.	Description	Reqd. QTY		Serial No.	Parts catalogue code
			NSS 300 D	NSS 300A D		
1	17724-102-700	CLIP, SUB TANK HOSE	4	4		
2	18651-KTW-900	TUBE A, AIR INJECTION CONTROL VALVE	1	1		
3	18652-KTW-900	TUBE B, AIR INJECTION CONTROL VALVE	1	1		
4	18655-K04-930	STAY COMP., AIR INJECTION SOLENOID VALVE	1	1		
5	18656-K04-930	STAY, AIR INJECTION CONTROL VALVE TUBE	1	1		
6	19342-K04-930	BAND, AIR INJECTION CONTROL VALVE	1	1		
7	19343-KTW-900	CAP, AIR INJECTION CONTROL VALVE	1	1		
8	30520-K04-930	COVER, IGNITION COIL	1	1		
9	36450-KTW-901	VALVE ASSY., AIR INJECTION SOLENOID	1	1		
10	43516-MR5-000	RUBBER, MOUNTING	1	1		
11	50324-425-010	COLLAR, 6.3X13	1	1		
12	61104-428-000	COLLAR, FR. FENDER	2	2		
13	84703-K04-930	RUBBER C, MOUNTING	2	2		
14	93404-06025-07	BOLT-WASHER, 6X25	3	3		
15	94050-06000	NUT, FLANGE, 6MM	1	1		
16	95701-06014-00	BOLT, FLANGE, 6X14	2	2		
17	95801-06014-08	BOLT, FLANGE, 6X14	1	1		

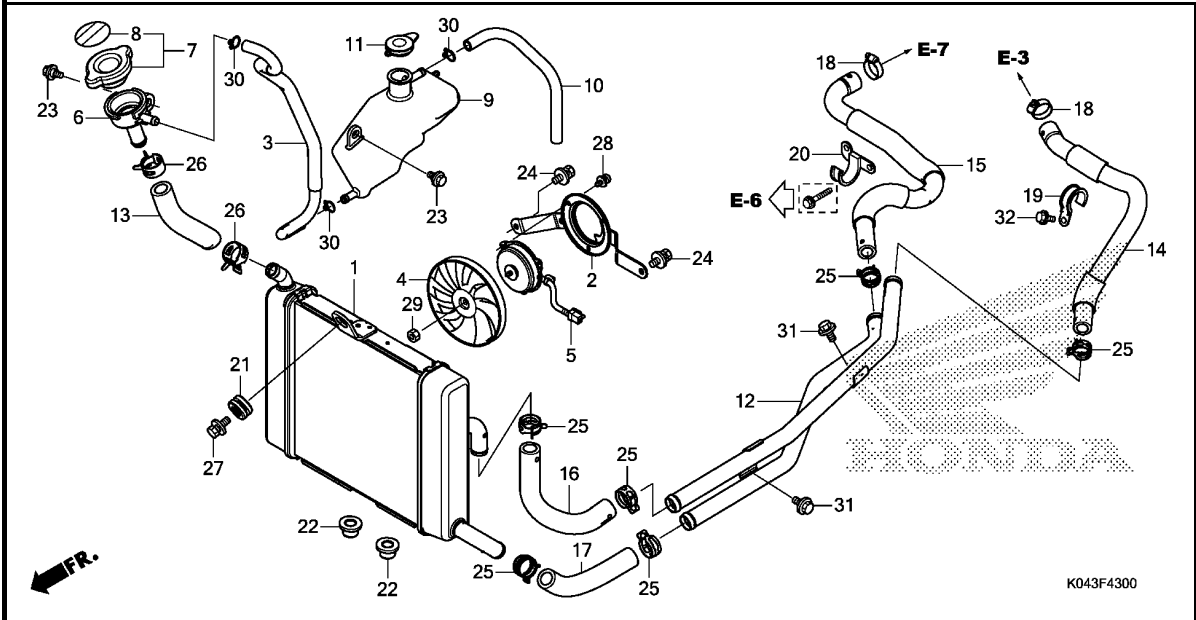
3



Ref. No.	L.O.N.	(Relative ref. Number) Description	F.R.T.
1	1151C3	RADIATOR	1.2
2	115125	SHROUD, RADIATOR	1.3
3	1151E5	TUBE, RADIATOR RESERVE TANK ..	0.9
4	1151A6	FAN, COOLING	1.3
5	1151A7	MOTOR, FAN	1.4
6	1151D4	NECK, FILLER	0.7
7	1151B8	CAP, RADIATOR	0.2
9	115110	TANK, RADIATOR RESERVE	0.3
12	114125	PIPE, WATER CONNECTING	1.3
13	1151B9	HOSE, FILLER NECK	0.9
14	114130	HOSE A, WATER	1.1
15	114131	HOSE B, WATER	1.1
16	114132	HOSE C, WATER	0.9
17	114133	HOSE D, WATER	0.9

K043F4300

Ref. No.	Part No.	Description	Reqd. QTY		Serial No.	Parts catalogue code
			NSS 300 D	NSS 300A D		
1	19010-K04-931	RADIATOR COMP.(T.RAD)	1	1		
2	19015-K04-931	SHROUD COMP.	1	1		
3	19017-K04-930	TUBE, FILLER	1	1		
4	19020-KVZ-631	FAN COMP., COOLING	1	1		
5	19030-K04-931	MOTOR ASSY., FAN(T.RAD)	1	1		
6	19035-K04-931	NECK, FILLER	1	1		
7	19037-MCA-G61	CAP COMP., RADIATOR	1	1	----- E,ED,F,U	
	19037-MCJ-K00	1	1	----- KO	
8	19046-MCA-G61	LABEL, RADIATOR CAP	1	1	----- E,ED,F,U	
	19055-MBR-870	SEAL, RADIATOR CAP(KOREAN) ..	1	1	----- KO	
9	19101-K04-930	TANK, RESERVE	1	1		
10	19102-K04-930	TUBE, RESERVE TANK	1	1		
11	19109-KBP-900	CAP, RESERVE TANK	1	1		
12	19120-K04-930	PIPE COMP., WATER	1	1		
13	19126-K04-930	HOSE, FILLER	1	1		
14	19501-K04-930	HOSE A, WATER	1	1		
15	19502-K04-930	HOSE B, WATER	1	1		
16	19503-K04-930	HOSE C, WATER	1	1		
17	19504-K04-930	HOSE D, WATER	1	1		
18	19507-KA3-830	CLAMP B, WATER HOSE	2	2		
19	19531-KTW-900	CLAMPER A, WATER HOSE	1	1		
20	19532-KTW-900	CLAMPER B, WATER HOSE	1	1		
21	61304-415-000	RUBBER, HEADLIGHT CASE MOUNTING	1	1		
22	64415-KGH-900	BOOTS, BODY COVER	2	2		



Ref. No.	Part No.	Description	Reqd. QTY		Serial No.	Parts catalogue code
			NSS 300 D	NSS 300A D		
23	90116-KVB-900	BOLT, FLANGE, 6MM	2	2		
24	90120-GHB-601	BOLT-WASHER, 6X12	2	2		
25	90701-KWN-901	CLAMP, WATER HOSE, 24MM	6	6		
26	90701-MF5-003	CLAMP, WATER HOSE, 21MM	2	2		
27	93404-06012-00	BOLT-WASHER, 6X12	1	1		
28	93891-04006-07	SCREW-WASHER, 4X6	3	3		
29	94001-03000-0S	NUT, HEX., 3MM	1	1		
30	95002-02120	CLIP, TUBE(B12)	3	3		
31	95701-06010-00	BOLT, FLANGE, 6X10	2	2		
32	95701-06012-00	BOLT, FLANGE, 6X12	1	1		